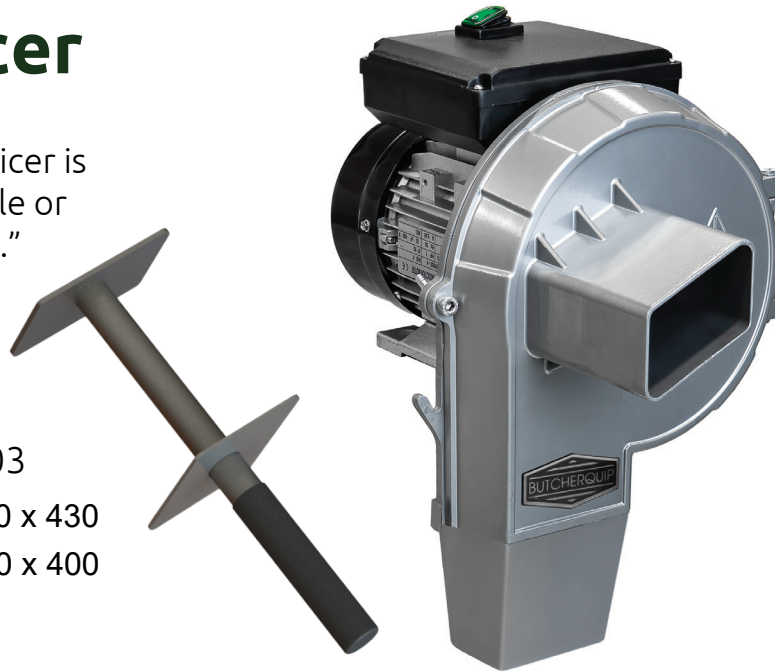


# BSB2003 Biltong Slicer

“Butcherquip’s Biltong Slicer is designed to bolt to a table or stand for convenient use.”

## Specification BSB2003

Shipping size:	310 x 550 x 430
Unit size:	280 x 480 x 400
Power:	0,75kW
Weight:	14kg
Volume:	0.07m <sup>3</sup>



## Models: BSB2003

### APPLICATION

- Ideal for use in butcheries, supermarkets and biltong shops etc.

### CONSTRUCTION

- Die cast aluminium body
- Hinges open for easy cleaning and maintenance
- Automatic safety cut out when cover is opened.
- Extended entry and exit chute for safe use
- Hooks for hanging container
- Fits in tight counter space, designed for bolting to table or stand
- Cutting blade is dynamically balanced for vibration free operation
- Supplied with stomper.



ALL BUTCHERQUIP EQUIPMENT COMES WITH  
A ONE YEAR WARRANTY ON COMPONENTS AND  
DEFECTIVE WORKMANSHIP.